

MODEL / PRODOTTO

1E.3017.20.11

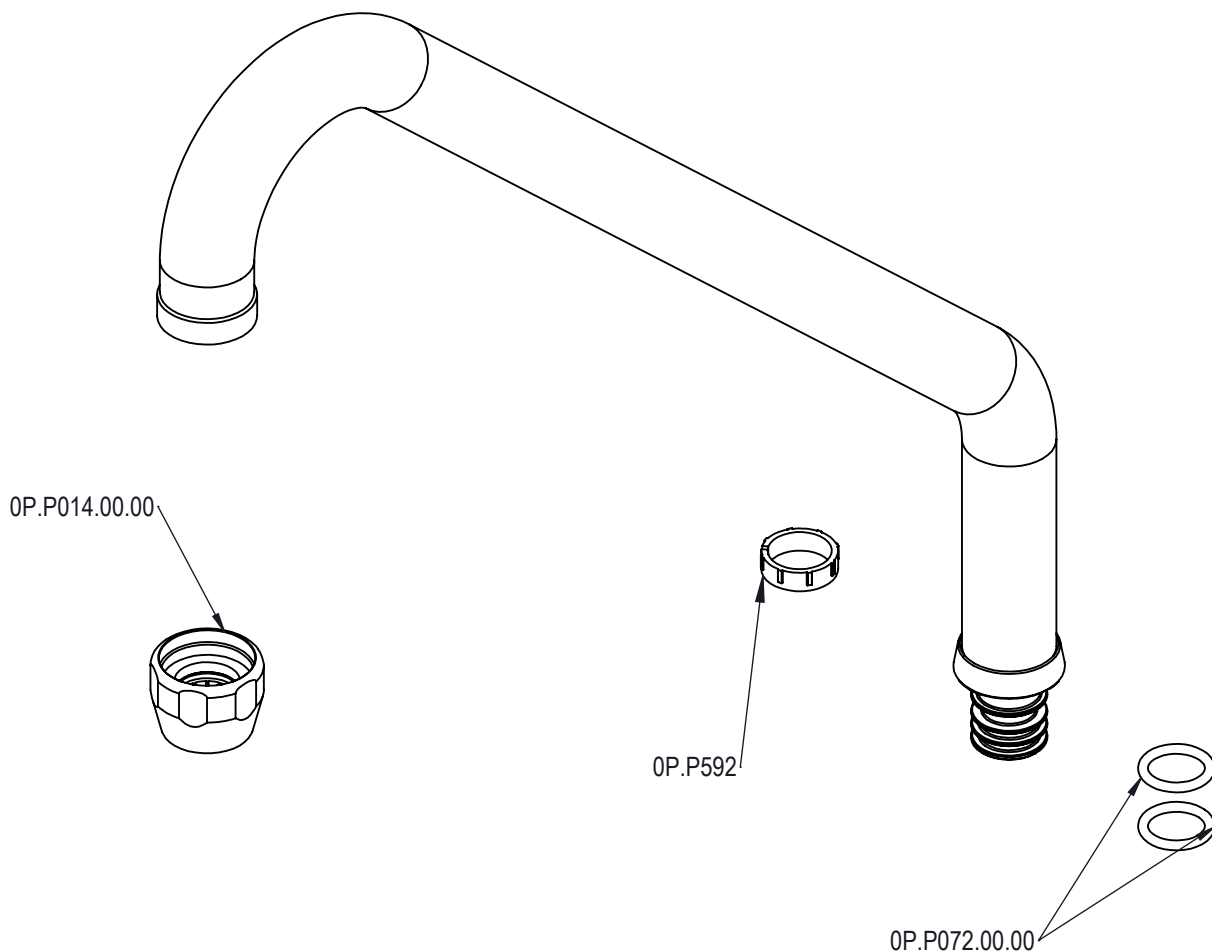
PRODUCT COMPLIANCE:

REACH 1907/2006;
BWGL UBA verified by DVGW CERT third-part

TITLE / DESCRIZIONE

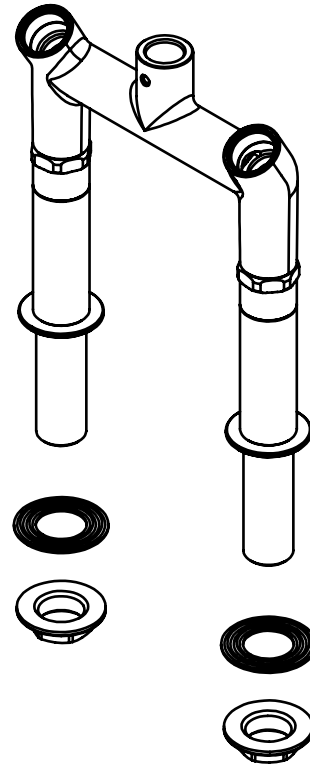
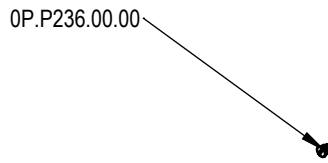
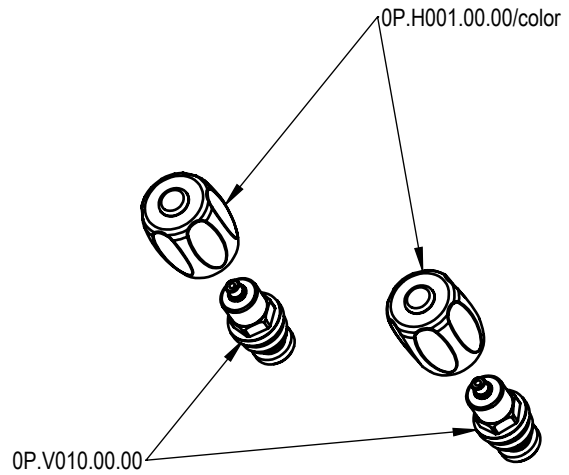
EUROP double hole (155mm center distance) slanted, mixing temperature, deck mount faucet with 100mm riser. 80mm-long mounting shafts, G3/4" male inlets. Brass, chrome plated. J-shaped Nozzle 25x300x249. EUR handles, 3/4" compression headworks.

SALES NO.	DESCRIPTION
0P.P072.00.00	O-Ring 119 (Ø 15,08 x 2,62mm) EPDM 70
0P.P592	Swivel sleeve
0P.P014.00.00	Aerator 3/4" for Ø25 spout
0P.C020.00.00	COMPLETE EUROP Ø25X300X249 J-shaped spout



TITLE / DESCRIZIONE

0P.C020.00.00 - SPARE PARTS

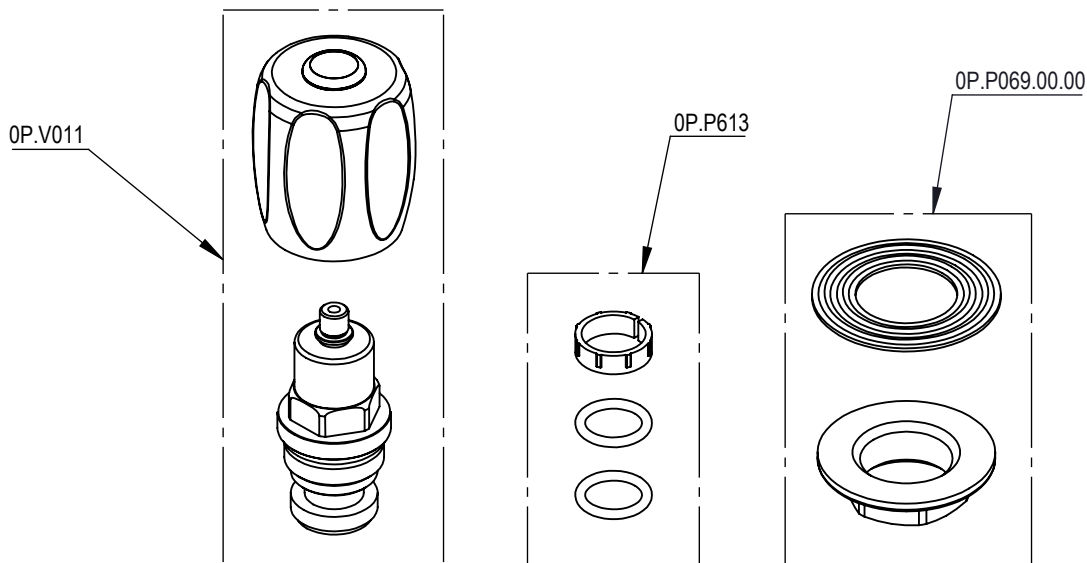


SALES NO.	DESCRIPTION
0P.H001.00.00/color	EUR handle 8x20 (specify the color)
0P.V010.00.00	3/4" compression headwork (8x20)
0P.P236.00.00	Spout Screw (short)

TITLE / DESCRIZIONE

BODY FAUCET, INLETS AND HANDLES SPARE PARTS

SALES NO.	DESCRIPTION
0P.V011	KIT: 3/4" compression headwork (8x20) + EUR handle (Red & Blue index)
0P.P613	Kit O-Rings for EUROP/STYL spout
0P.P069.00.00	Bench-mounting kit for 3/4"shaft: flange nut + washer



TITLE / DESCRIZIONE

REPLACEMENT KIT